

4 in 1 DVB-T/C Modulator



Outline

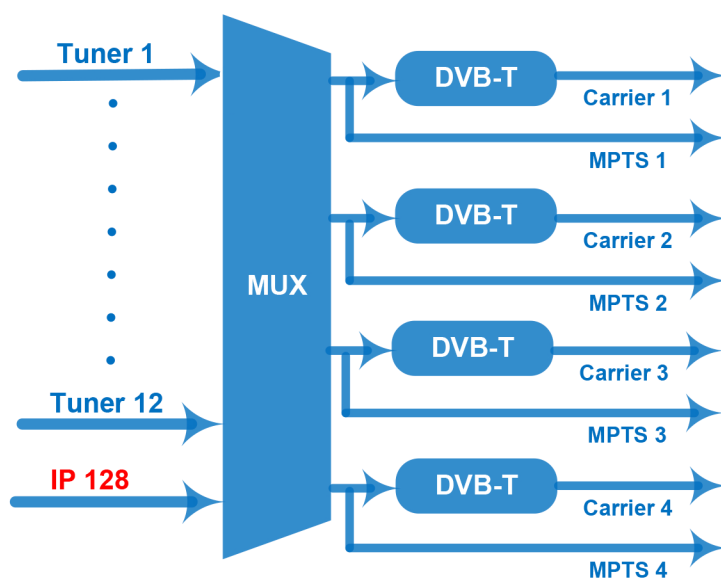
NDS3348TS (NDS3348CS) is a high performance and cost-effective DVB-T (DVB-C optional) modulator designed by Dexin. It supports DVB-S2 (DVB-(T) optional) tuner inputs, after multiplexing, scrambling (only for DVB-C) and modulating process, then it gives 4 RF output. To meet customers' various requirements, this device is also equipped with 128 IP input and 4 MPTS output over UDP and RTP. Its pluggable structure design greatly facilitates the change of modules as needed. Moreover, NDS3348TS (NDS3348CS) can support Biss descrambling and can be upgraded and controlled through network system, which allows it to be widely used in setting up digital broadcasting network and provide good signals for scientific laboratory and DVB-T STB.

Features

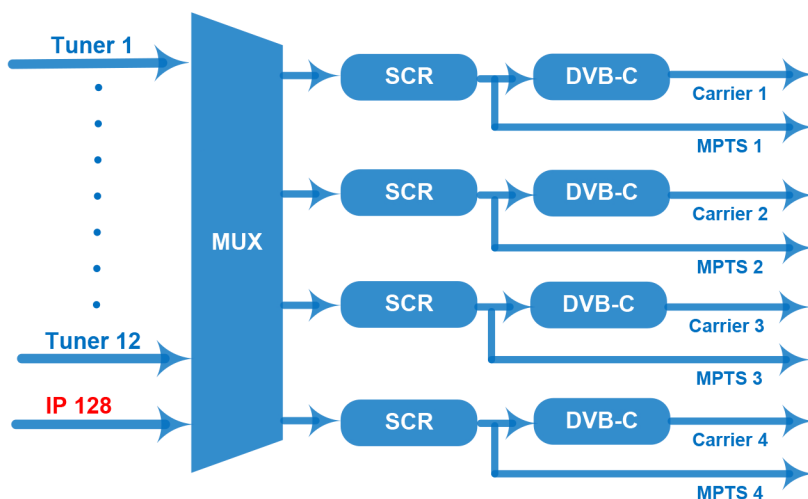
- **12 DVB-S2 FTA Tuner input ports---Version I**
- **12 DVB-(T) Tuner input ports---Version II**
- **8 DVB-S2 FTA tuner+ 4 DVB-(T) tuner input---Version III**
- **8 DVB-(T) FTA tuner+4 DVB-S2 tuner input---Version IV**

- Support maximum 128 IP input(MPTS/SPTS) over UDP and RTP protocol
- Support Biss descrambling
- Support 4 groups multiplexing +4 groups DVB-T modulating----NDS3348TS
- Support 4 groups multiplexing +4 groups Scrambling+ 4 DVB-C modulating----NDS3348CS
- 4*DVB-T/C carrier output and 4 IP (MPTS) output over UDP and RTP protocol
- Integrated demodulating and multiplexing functions
- Support accurate PCR adjusting
- Support A/V PID filtering (for NDS3348TS), PID remapping
- Support PSI/SI rebuilding and editing
- Web-based NMS management

NDS3348TS DVB-T Principle Chart



NDS3348CS DVB-C Principle Chart



Specifications

| | | | |
|-------------------------------------|---|---------------------------------------|---|
| Input | 12 DVB-S2 FTA Tuner input ports---Version I 12 DVB-(T) Tuner input ports---Version II 8 DVB-S2 FTA tuner+ 4 DVB-(T) tuner input---Version III 8 DVB-(T) FTA tuner+4 DVB-S2 tuner input---Version IV 128 IP(SPTS/MPTS) input over UDP and RTP, RJ45, 1000M/100M Unicast/Multicast | | |
| Tuner Section | DVB-S | Input Frequency | 950-2150MHz |
| | | Symbol rate | 2-45Msps |
| | | Signal Strength | -65~-25dBm |
| | | FEC Demodulation | 1/2, 2/3, 3/4, 5/6, 7/8 QPSK |
| | DVB-S2 | Input Frequency | 950-2150MHz |
| | | Symbol rate | QPSK 1~45Mbauds; 8PSK 2~30Mbauds |
| | | Code rate | 1/2, 3/5, 2/3, 3/4, 4/5, 5/6, 8/9, 9/10 |
| | | Constellation | QPSK, 8PSK |
| DVB-T/(T) | Input Frequency | 30MHz ~999.999 MHz | |
| | Bandwidth | 6M, 7M, 8M | |
| BISS descrambling | Mode 1, Mode E (Up to 850Mbps) (descramble individual program) | | |
| Multiplexing | Maximum PID Remapping | 256 per input channel | |
| | Function | PID remapping | |
| | | A/V PID filtering (for NDS3348TS) | |
| | | Accurate PCR adjusting | |
| Generate PSI/SI table automatically | | | |
| Modulation | DVB-T | Standard | EN300744 |
| | | FFT mode | 2K, |
| | | Bandwidth | 6M, 7M, 8M |
| | | Constellation | QPSK, 16QAM, 64QAM |
| | | Guard Interval | 1/4, 1/8, 1/16, 1/32 |
| | | FEC | 1/2, 2/3, 3/4, 5/6, 7/8 |
| | | MER | ≥42 dB |
| | | RF frequency | 50~960MHz, 1KHz step |
| | | RF out | 4*DVB-T adjacent carriers combined output, 40M total bandwidth limitation |
| | RF output level | -28~ -3 dBm (79~105 dbμV), 0.1db step | |
| DVB-C | Standard | J.83A (DVB-C), J.83B, | |

| | | | |
|-------------------|---|---|---|
| | | MER | $\geq 43\text{dB}$ |
| | | RF frequency | 50~960MHz, 1KHz step |
| | | RF output level | -25~ -1dbm (82~106 db μ V), 0.1db step |
| | | Symbol rate | 5.000~7.000Msps adjustable |
| | | RF Out | 4*DVB-C adjacent carriers combined output, 40M total bandwidth limitation |
| | | | J.83A |
| | | | J.83B |
| | | Constellation | 16/32/64/128/ 256 QAM |
| | | Bandwidth | 8M |
| | | | 6M |
| Stream out | 4*MPTS over UDP and RTP out , RJ45, 1000M/100M, Unicast/Multicast | | |
| System | web-based NMS support | | |
| | Ethernet software upgrading | | |
| General | Dimension (W*D*H) | 482mm×300mm×44.5mm | |
| | Temperature | 0~45°C (Operation) ; -20~80°C (Storage) | |
| | Power | AC 100V±10% 50/60Hz; AC 220V±10%, 50/60HZ | |